

Single and Dual Isolators for the 150 MHz Band

DESCRIPTION

- Medium power single or dual isolators for 145 – 175 MHz.
- Used to isolate / protect of transmitters.
- High frequency stability on temperature and power.
- The standard 15 W dummy load can easily be interchanged to other values, if the reverse power is expected to exceed 15 W.
- Tunable within the frequency range.
- The isolators have black coating to prevent corrosion.



PRO-IS-xxx-S1

PRO-IS-xxx-D1

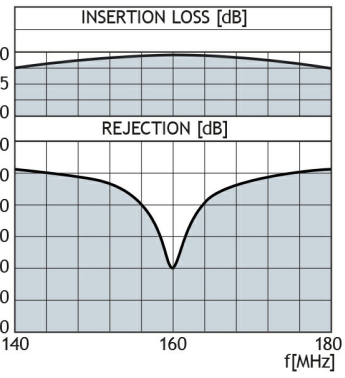
SPECIFICATIONS

Electrical		
Model	PRO-IS-150-S1	PRO-IS-150-D1
Frequency	145 - 175 MHz	
Max. Input Power	150 W	
Insertion Loss	< 0.5 dB	< 1.0 dB
Impedance	50 Ω	
Isolation	Typ. > 40 dB @ 25 °C > 20 dB @ 0 - 60 °C > 17 dB @ -10 - 0 °C	Typ. > 80 dB @ 25 °C > 40 dB @ 0 - 60 °C > 35 dB @ -10 - 0 °C
VSWR	< 1.5:1	
Mechanical		
Connection(s)	N(f)	
Dimensions	57 x 58 x 41 mm / 2.24 x 2.28 x 1.61 in.	107 x 58 x 41 mm / 4.21 x 2.28 x 1.61 in.
Weight	Approx. 0.4 kg / 0.88 lb.	Approx. 0.8 kg / 1.76 lb.

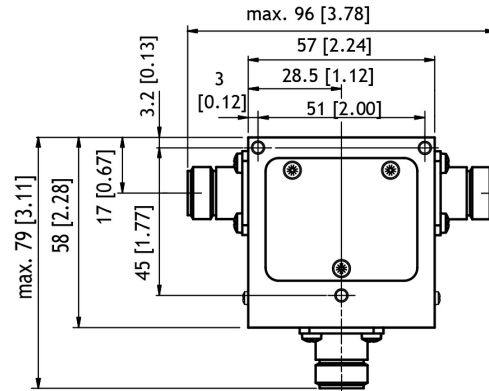
ORDERING

Model	Product No.
PRO-IS-150-S1	210001155
PRO-IS-150-D1	210001117

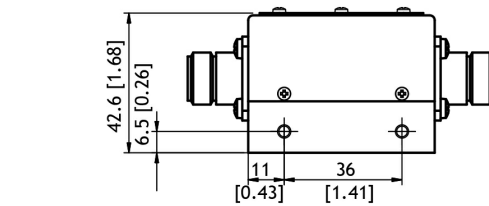
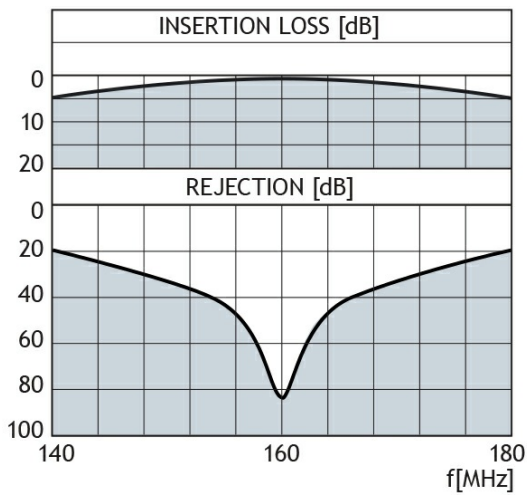
TYPICAL RESPONSE CURVES FOR PRO-IS-150-S1



MOUNTING DETAILS FOR PRO-IS-150-S1

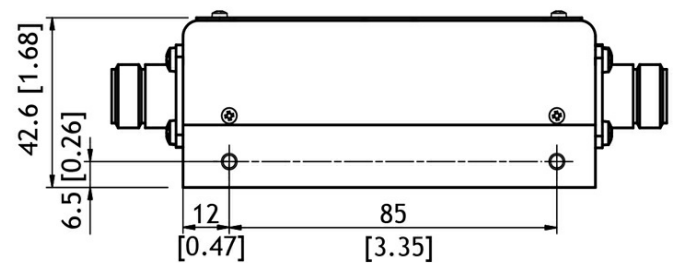
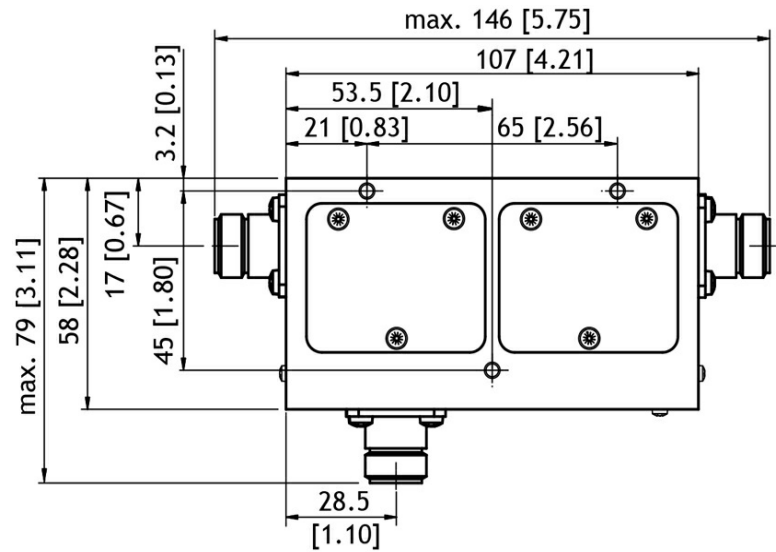


TYPICAL RESPONSE CURVES FOR PRO-IS-150-D1



All dimensions are given in mm [in.]

MOUNTING DETAILS FOR PRO-IS-150-D1



All dimensions are given in mm [in.]

