

Broad Band Power Divider 1:2

DESCRIPTION

- Two antennas connected to the same transmitter or receiver.
- Broad band power splitter for radio systems.
- Combining two transmitters on the same antenna.

Note: The power splitter has to be mounted on an extra heat sink when used as a combiner. Max. 15 W per Tx.

- Combining two signal generators.
- 30 W load built-in.



SPECIFICATIONS

Electrical	
Model	PRO-BBPHY 2/70-20-3 dB-N
Frequency	146 - 470 MHz
Type	Cascaded Wilkinson-hybrid
Max. Input Power	30 W when used as a power splitter - 15 W per channel when used as a hybrid combiner. Note : Extra cooling necessary when used as a hybrid combiner
Insertion Loss	< 4.5 dB
Impedance	50 Ω
Isolation Tx1 - Tx2	> 11 dB, 146-470 MHz, typ. > 17 dB
Phase Tx1, Tx2	0°
VSWR	< 1.5:1 all other ports terminated with 50 Ω
Load	30 W load built-in

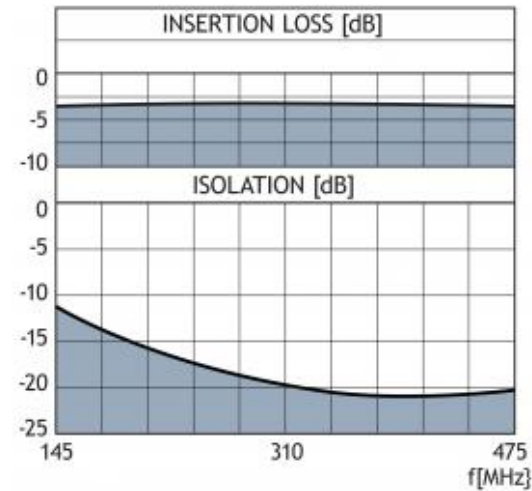
Mechanical	
Connection(s)	N(f) (other on request)
Dimensions	126 (incl. conn.) x 97.5 (incl. conn.) x 30.3 mm / 4.96 (incl. conn.) x 3.84 (incl. conn.) x 1.19 in.
Weight	Approx. 0.4 kg / 0.88 lb.

Environmental	
Operating temperature range	-30 °C to +60 °C
Ingress Protection	IP64

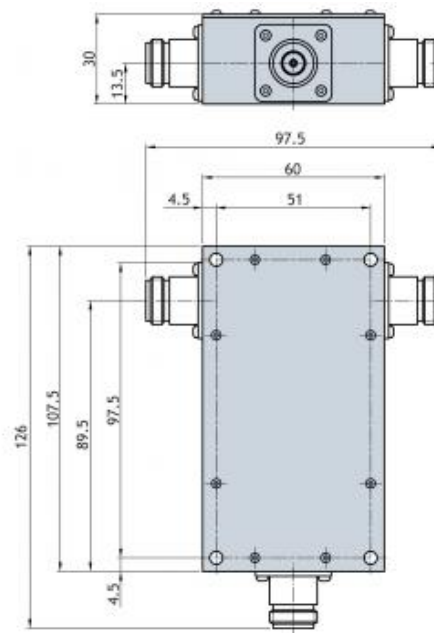
ORDERING

Model	Product No.
PRO-BBPHY 2/70-20-3 dB-N	210000282

TYPICAL RESPONSE CURVE



MOUNTING DETAILS



All dimensions are given in mm.

