

## Attenuator 25 W

### DESCRIPTION

- This series includes 3 dB, 6 dB, 10 dB, 20 dB and 30 dB attenuators.
- This series of attenuators has very low VSWR and attenuation flatness and is especially suitable for use with:
  - Coaxial Transmission Lines
  - Power Monitors
  - Watt Meters
- The attenuators have a finish of black anodization.



### SPECIFICATIONS

Electrical	
Model	PRO-ATT ... dB-25-3
Frequency	DC - 3 GHz
Max. Input Power	25 W
Impedance	50 Ω
Attenuation	See table below
VSWR	< 1.25:1
Mechanical	
Connection(s)	N(f) or 7/16(f)
Dimensions	Approx. 120 x 100 x 34 mm / 4.72 x 3.94 x 1.35
Weight	Approx. 0.65 kg / 1.43 lb.
Mounting	4 mm dia. (4 holes)
Environmental	
Operating temperature range	-35 °C to +70 °C

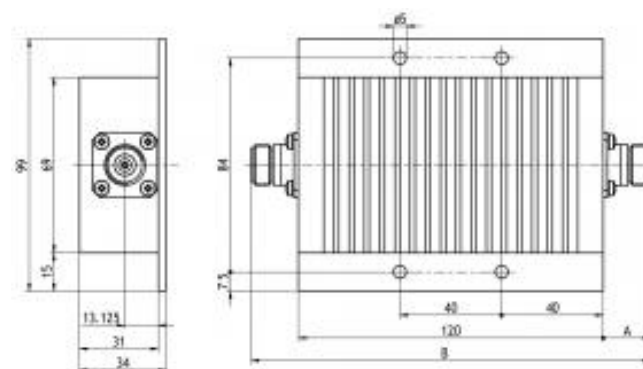
### ORDERING

Model	Product No.
PRO-ATT 3 dB-25-3-N(f)	200001732
PRO-ATT 6 dB-25-3-N(f)	200001750
PRO-ATT 10 dB-25-3-N(f)	200001751
PRO-ATT 20 dB-25-3-N(f)	200001724
PRO-ATT 30 dB-25-3-N(f)	200001752
PRO-ATT 3 dB-25-3-7/16(f)	200002544
PRO-ATT 6 dB-25-3-7/16(f)	200002545
PRO-ATT 10 dB-25-3-7/16(f)	200002541
PRO-ATT 20 dB-25-3-7/16(f)	200002542
PRO-ATT 30 dB-25-3-7/16(f)	200002543

### ADDITIONAL DATA

MODEL	ATTENUATION	ATT. DEVIATION	
		DC - 2.0 GHz	2.0 - 3.0 GHz
PRO-ATT 3 dB-25-3	3 dB	±0.5 dB	±1.0 dB
PRO-ATT 6 dB-25-3	6 dB	±0.5 dB	±1.0 dB
PRO-ATT 10 dB-25-3	10 dB	±0.75 dB	±1.5 dB
PRO-ATT 20 dB-25-3	20 dB	±0.75 dB	±1.5 dB
PRO-ATT 30 dB-25-3	30 dB	±0.75 dB	±1.5 dB

### MOUNTING DETAILS



All dimensions are given in mm.

### DIMENSION

	A	B
PRO-ATT ... dB-25-3-N(f)	18.5 mm	157 mm
PRO-ATT ... dB-25-3-7/16(f)	21.5 mm	163 mm

