

Dual-frequency, Base Station Antenna for the 160 MHz and 450 MHz Bands

DESCRIPTION

- CXL 2/70C is a dual-frequency base station antenna - two bands with only one antenna.
- This antenna makes it possible to:
 - operate 160 and 450 MHz transceivers alternately on the same antenna
 - operate two transceivers (160 and 450 MHz) at the same time on one antenna using a diplexer (type DIPX 225/330 - must be ordered separately).
- CXL 2/70C is designed for fixation on supporting tubes with outer diameter between 27 mm and 65 mm.
- The construction of the mount makes it possible to lead the cable either inside or along the outside of the mast tube.
- Atmospheric discharges are immediately led to ground as all metal parts are DC-grounded (consequently, the antenna shows a DC-short across the coaxial cable).



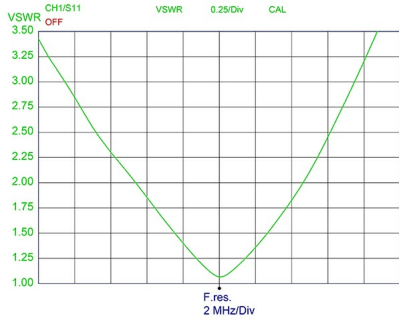
SPECIFICATIONS

Electrical	
Model	CXL 2/70C
Frequency	See Ordering Designations
Antenna Type	Coaxial, dual-band base station antenna
Max. Input Power	100 W (for each band)
Polarisation	Vertical
3 dB Beamwidth, E-Plane	80 °
3 dB Beamwidth, H-Plane	Omnidirectional
Impedance	50 Ω
Gain	0 dBd (2.2 dBi)
Bandwidth	160 MHz : 8 MHz @ VSWR 2.0 450 MHz : 20 MHz @ VSWR 2.0
Antistatic Protection	All metal parts DC-grounded (Connector shows a DC-short)
HCM Code(s)	HCM000ND00, 040DE00
Mechanical	
Connection(s)	N(f)
Materials	Radome : Polyurethane-coated glass fibre Mounting bracket : Seawater resistant aluminium, epoxy-coated
Colour	White (RAL 9003)
Wind Area	0.067 sq. m / 0.72 sq. ft.
Wind Load	85 N (160 km/h)
Height	Approx. 1300 mm / 51.18 in.
Weight	Approx. 2.5 kg / 5.51 lb.
Mounting	On 27 - 65 mm / 1.02 - 2.56 in. dia. mast tube

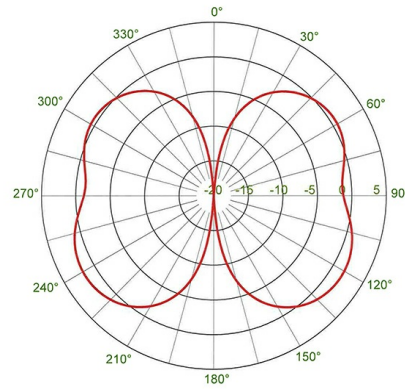
ORDERING

Model	Product No.	Frequency
CXL 2/70C/146/375	100000798	142 - 150 / 365 - 380 MHz
CXL 2/70C/146/390	100000799	142 - 150 / 380 - 400 MHz
CXL 2/70C/146/405	100000800	142 - 150 / 395 - 415 MHz
CXL 2/70C/146/420	100000801	142 - 150 / 410 - 430 MHz
CXL 2/70C/146/435	100000802	142 - 150 / 425 - 445 MHz
CXL 2/70C/146/450	100000803	142 - 150 / 440 - 460 MHz
CXL 2/70C/146/465	100000804	142 - 150 / 455 - 475 MHz
CXL 2/70C/152/375	100000805	148 - 156 / 365 - 380 MHz
CXL 2/70C/152/390	100000806	148 - 156 / 380 - 400 MHz
CXL 2/70C/152/405	100000807	148 - 156 / 395 - 415 MHz
CXL 2/70C/152/420	100000808	148 - 156 / 410 - 430 MHz
CXL 2/70C/152/435	100000809	148 - 156 / 425 - 445 MHz
CXL 2/70C/152/450	100000810	148 - 156 / 440 - 460 MHz
CXL 2/70C/152/465	100000811	148 - 156 / 455 - 475 MHz
CXL 2/70C/158/375	100000812	154 - 162 / 365 - 380 MHz
CXL 2/70C/158/390	100000813	154 - 162 / 380 - 400 MHz
CXL 2/70C/158/405	100000814	154 - 162 / 395 - 415 MHz
CXL 2/70C/158/420	100000815	154 - 162 / 410 - 430 MHz
CXL 2/70C/158/435	100000816	154 - 162 / 425 - 445 MHz
CXL 2/70C/158/450	100000817	154 - 162 / 440 - 460 MHz
CXL 2/70C/158/465	100000818	154 - 162 / 455 - 475 MHz
CXL 2/70C/164/375	100000819	160 - 168 / 365 - 380 MHz
CXL 2/70C/164/390	100000820	160 - 168 / 380 - 400 MHz
CXL 2/70C/164/405	100000821	160 - 168 / 395 - 415 MHz
CXL 2/70C/164/420	100000822	160 - 168 / 410 - 430 MHz
CXL 2/70C/164/435	100000823	160 - 168 / 425 - 445 MHz
CXL 2/70C/164/450	100000824	160 - 168 / 440 - 460 MHz
CXL 2/70C/164/465	100000825	160 - 168 / 455 - 475 MHz
CXL 2/70C/167-174/380-410	100000873	167 - 174 / 380 - 410 MHz
CXL 2/70C/170/375	100000826	166 - 174 / 365 - 380 MHz
CXL 2/70C/170/390	100000827	166 - 174 / 380 - 400 MHz
CXL 2/70C/170/405	100000828	166 - 174 / 395 - 415 MHz
CXL 2/70C/170/420	100000829	166 - 174 / 410 - 430 MHz
CXL 2/70C/170/435	100000830	166 - 174 / 425 - 445 MHz
CXL 2/70C/170/450	100000831	166 - 174 / 440 - 460 MHz
CXL 2/70C/170/465	100000832	166 - 174 / 455 - 475 MHz
CXL 2/70C/176/375	100000833	172 - 180 / 365 - 380 MHz
CXL 2/70C/176/390	100000834	172 - 180 / 380 - 400 MHz
CXL 2/70C/176/405	100000835	172 - 180 / 395 - 415 MHz
CXL 2/70C/176/420	100000836	172 - 180 / 410 - 430 MHz
CXL 2/70C/176/435	100000837	172 - 180 / 425 - 445 MHz
CXL 2/70C/176/450	100000838	172 - 180 / 440 - 460 MHz
CXL 2/70C/176/465	100000839	172 - 180 / 455 - 475 MHz

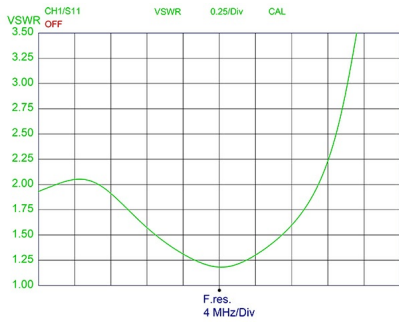
TYPICAL VSWR CURVE FOR 2 M BAND :



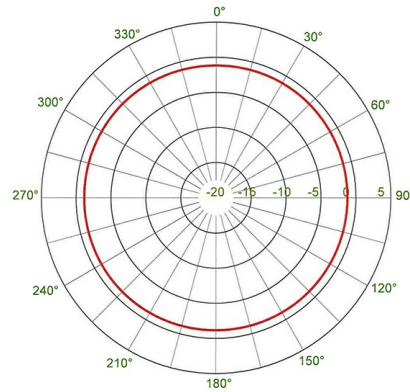
TYPICAL RADIATION PATTERN FOR 70 CM BAND (E-PLANE) :



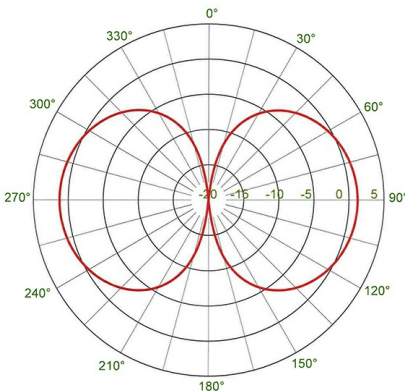
TYPICAL VSWR CURVE FOR 70 CM BAND :



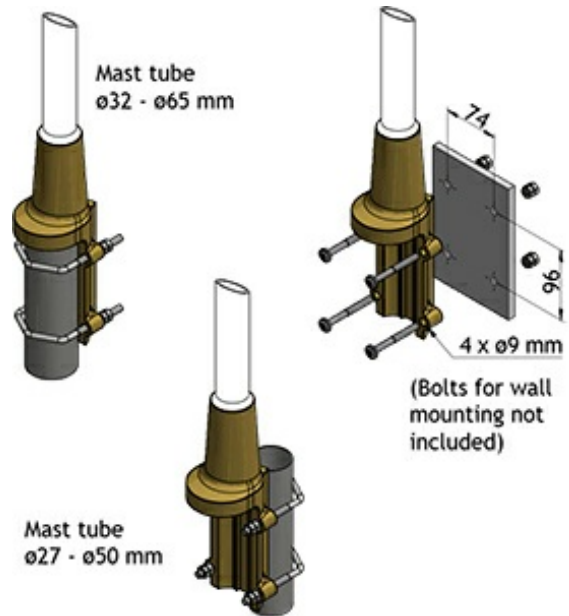
TYPICAL RADIATION PATTERN FOR 70 CM BAND (H-PLANE) :



TYPICAL RADIATION PATTERN FOR 2 M BAND (E-PLANE) :



MULTI-PURPOSE MOUNTING BRACKET



TYPICAL RADIATION PATTERN FOR 2 M BAND (H-PLANE) :

