

Miniature 4-Channel Receiver Multicoupler for the VHF and low UHF band with extended frequency range

DESCRIPTION

- For use where four receivers have to share the same antenna.
- High isolation between the four receivers: > 20 dB.
- High-dynamic range amplifier built-in to compensate for loss in the multicoupler network.
- Ultra high third-order intercept point, >30 dBm.
- Low noise figure, < 4 dB for the amplifier.
- Wide frequency range. Covers 50 - 1200 MHz.
- 12 V operating voltage.
- DC supply on solder terminal.
- N-female connectors on input and outputs (other types available).
- $P_{1dB} > 14$ dBm.



SPECIFICATIONS

Electrical	
Model	HPRS-W
Gain (Input To All Outputs)	2 dB ±2 dB
Frequency	50 - 1200 MHz
Noise Figure, Amplifier	< 4 dB @ 500 MHz
Noise Figure, Outputs	< 6 dB @ 500 MHz
Output 3. Order Intercept point (OIP3)	>30 dBm
Input VSWR	< 2.0:1
Output VSWR	Max. 1.5:1
P1dB	>14 dBm
Isolation between outputs	> 20 dB
Input-Output Isolation	> 25 dB
Power Supply	12 V @ 210 mA
No. of channels	4

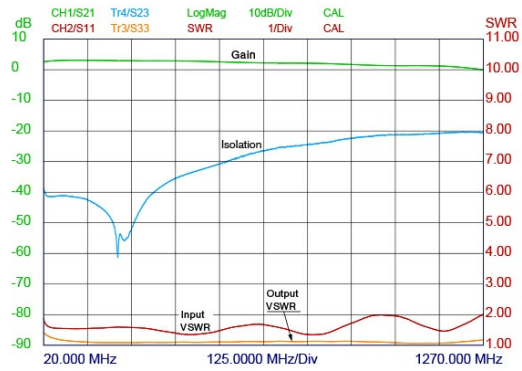
Mechanical	
Dimensions	129 (incl. conn.) x 152 (incl. flanges) x 35 mm / 5.08 (incl. conn.) x 5.98 (incl. flanges) x 1.38 in.
Weight	Approx. 0.435 kg / 0.96 lb.
Mounting Hole	5 mm / 0.20 in. dia. (four holes)

Environmental	
Operating temperature range	-30 °C to +50 °C
Ingress Protection	IP31

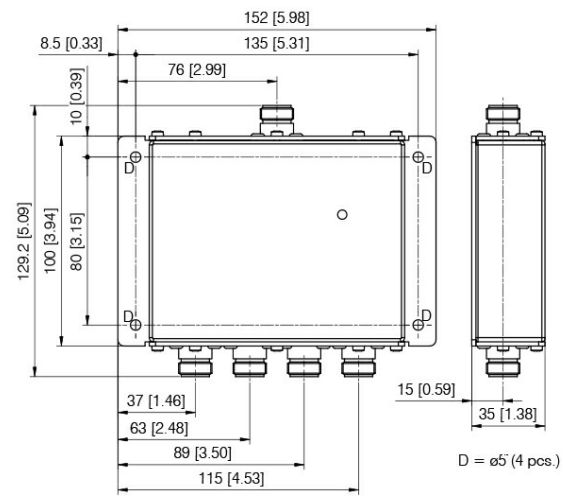
ORDERING

Model	Product No.
HPRS-W-4-N(f)	210000458

TYPICAL GAIN AND VSWR CURVE



MOUNTING DETAILS



All dimensions are given in mm [in.]

EU AND UK DECLARATION OF CONFORMITY

Hereby Amphenol Procom declare that the product type HPRS-W is in compliance with EU Directive 2014/53/EU and the UK Radio Equipment Regulations 2017 (S.I. 2017 No. 1206). The full text of the Declaration of Conformity is available at:

<https://amphenolprocom.com/images/shop/catalog/pdf-for-catalogues/Declaration-of-Conformity-HPRS-W.pdf>

