

Band-Pass Filter for 300 - 500 MHz

DESCRIPTION

- BPF 300-500 is an LC band-pass filter.
- Allows the whole 300 - 500 MHz band to pass.
- Can be used as a preselector to protect a receiver against interferences from transmitters normally being outside the band-pass range.
- BPF 300-500 can be mounted as a preselector directly inside the PRO-AR4G-N, PRO-AR8G-N and the PRO-AR16G-N receiver multicouplers.
- Very small dimensions, mounted in a 45 x 50 mm case.
- FME-connectors for easy and handy interconnections.
- Also available with TNC(f), BNC(f) or SMA(f) connectors.
- BPF 300-500 is coated with black vinyl to prevent corrosion.



SPECIFICATIONS

Electrical	
Model	BPF 300-500
Frequency	300 - 500 MHz
Max. Input Power	35 W
Insertion Loss	≤ 1.0 dB typ. ≤ 0.7 dB
Impedance	50 Ω
Reject Attenuation	See curves
VSWR	< 1.5:1
Bandwidth	200 MHz
Mechanical	
Connection(s)	FME(m), TNC(f), BNC(f) or SMA(f)
Dimensions	FME(m): 50 x 21 x 48 mm / 1.97 x 0.83 x 1.89 in. (incl. conn.) TNC(f), BNC(f), SMA(f): 50 x 21 x 52 mm / 1.97 x 0.83 x 2.05 in. (incl. conn.)
Weight	Approx. 0.06 kg / 0.13 lb.
Environmental	
Operating temperature range	-30 °C to +60 °C

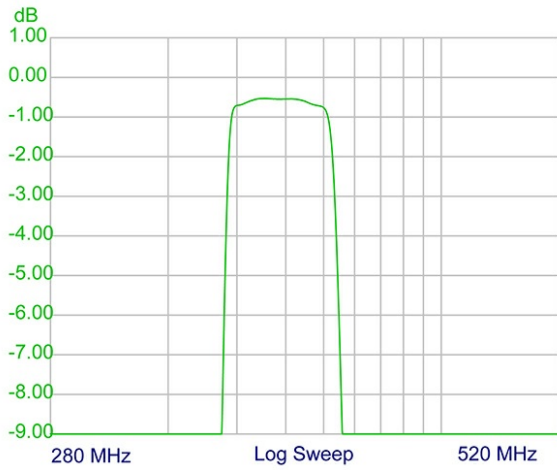
ORDERING

Model	Product No.
BPF 300-500 FME(m)	200000897
BPF 300-500 TNC(f)	200001715
BPF 300-500 BNC(f)	200002077
BPF 300-500 SMA(f)	200002015

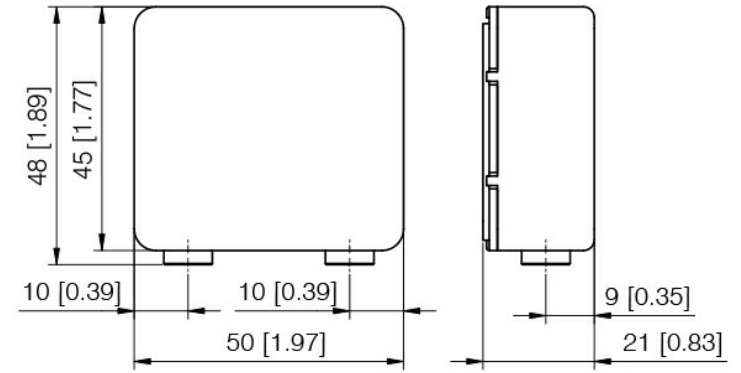
TYPICAL RESPONSE CURVE



TYPICAL RESPONSE CURVE (1 DB)

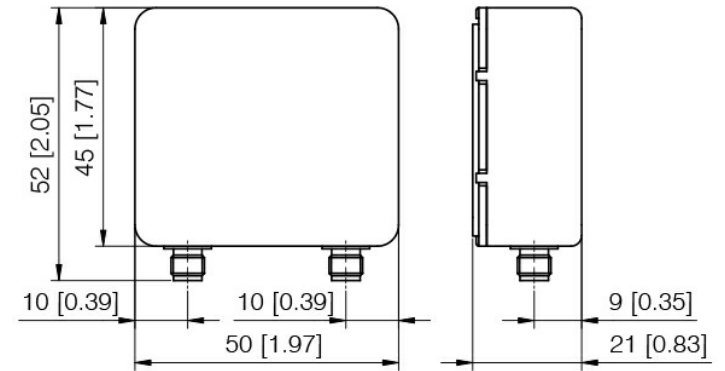


MECHANICAL OUTLINE FOR FME(M)



All dimensions are given in mm [in.]

MECHANICAL OUTLINE FOR TNC(F), BNC(F) OR SMA(F)



All dimensions are given in mm [in.]

