

TETRA combiner with SWR adaption/adjustment network

DESCRIPTION

- Combiner for coupling of two TETRA mobile transceivers on one common antenna.
- Factory-adjusted to either 380 - 410 MHz or 400 - 430 MHz.
- Compact dimensions – especially suitable for mobile applications.
- FME-connectors for direct connection of FME-cable without extra adapter.
- For parallel operation of two two-way communication radios (transceivers) where highest possible decoupling (isolation) is necessary.
- Integrated SWR adjustment network for optimization of isolation in the frequency range of 380 - 410 MHz or 400 - 430 MHz. Via the adjustment network the effective SWR of the antenna can be optimized and consequently the isolation between the ports of the combiner clearly improved.
- High isolation obtainable: Up to 60 dB (Dependent on the SWR of the connected antenna).
- The adjustment of the SWR adjustment network takes place via built-in variable capacitors.
- Max. TETRA transmitter power 2 x 10 W.
- Also usable as equal power divider for max. 20 W.
- Very small ripple over the total frequency range.



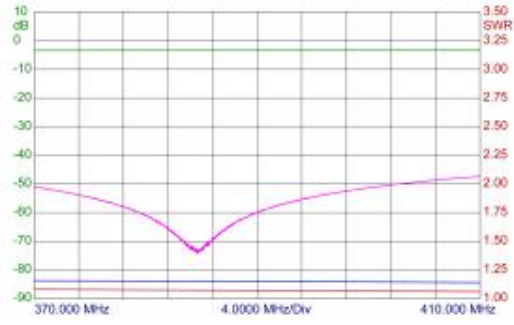
SPECIFICATIONS

Electrical		
Model	PHY-TETRA-2-FME-...	
Frequency	380 - 410 MHz or 400 - 430 MHz	
Max. Input Power	20 W (when used as power divider)	10 W (when used as power combiner)
Impedance	50 Ω	
Nominal Divider Loss	3 dB	
VSWR	< 1.3:1	
No. of channels	2	
Mechanical		
Connection(s)	FME-connectors	
Dimensions	50.5 x 66 (including bottom plate and connectors) x 19.5 mm / 1.99 x 2.59 (including bottom plate and connectors) x 0.77 in.	
Weight	Approx. 0.08 kg / 0.18 lb.	
Mounting	4 mm dia. (4 holes)	
Environmental		
Operating temperature range	-30 °C to +60 °C	

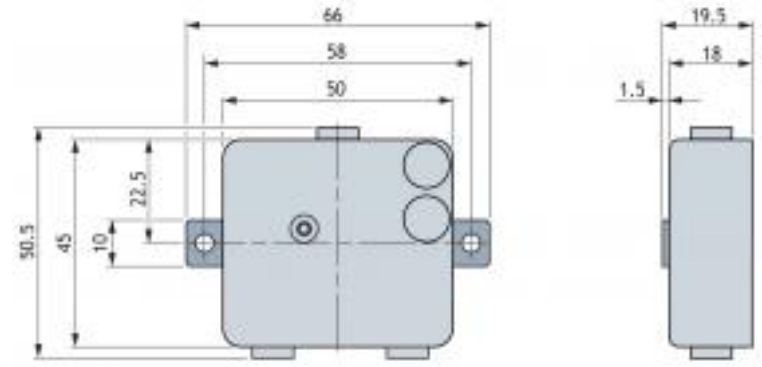
ORDERING

Model	Product No.
PHY-TETRA-2-FME-380-410	210001836
PHY-TETRA-2-FME-400-430	210001837

TYPICAL RESPONSE CURVE SWR 1

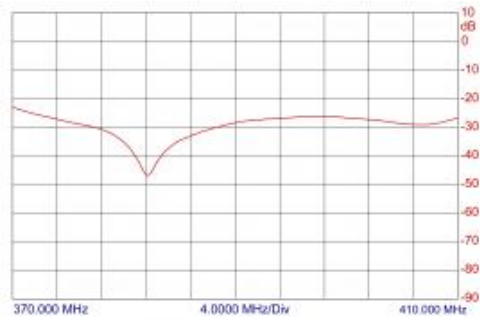


MOUNTING DETAILS



All dimensions are given in mm.

TYPICAL RESPONSE CURVE ANTENNA MU 1-Z/S (WITH 1.5 M CABLE)



TYPICAL RESPONSE CURVE ANTENNA MU 3-BZ/TETRA/L (WITH 1.5 M CABLE)

