

Directional Coupler 100 W

DESCRIPTION

- > 100 W Directional Coupler with 10, 20, or 30 dB coupling covering 380 - 520 MHz.
- > Excellent high-power performance.
- > Very low VSWR and insertion loss over the entire frequency range.
- > Suitable for outdoor use (OD).



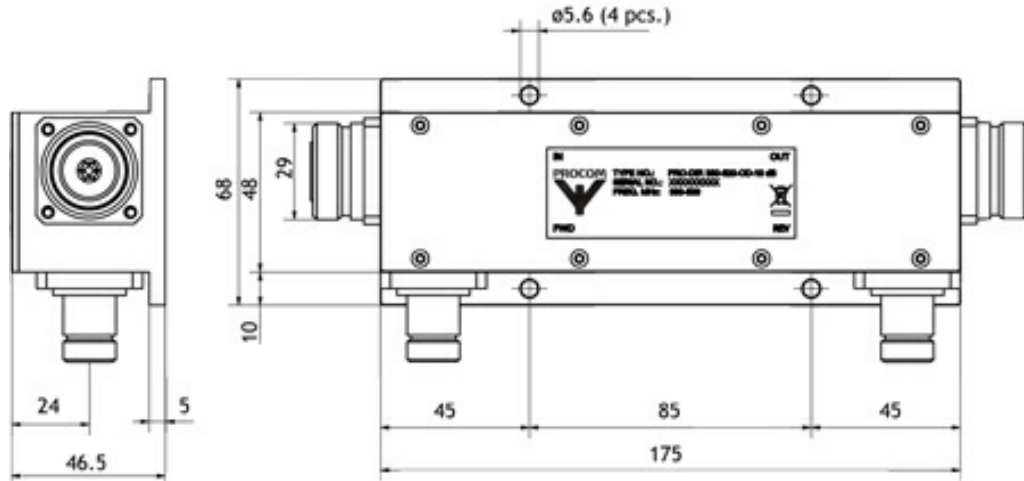
SPECIFICATIONS

Electrical			
Model	PRO-DIR 380-520-OD- 10 dB	PRO-DIR 380-520-OD- 20 dB	PRO-DIR 380-520-OD- 30 dB
Frequency	380 - 520 MHz		
Max. Input Power	100 W		
Coupling	10 dB \pm 1 dB	20 dB \pm 1 dB	30 dB \pm 1 dB
Impedance	50 Ω		
Input VSWR	< 1.25:1		
Total Loss	< 0.8 dB	< 0.3 dB	< 0.2 dB
Isolation	> 30 dB	> 40 dB	> 50 dB
Passive Intermodulation	-140 dBc		
Mechanical			
Connector Torque	25 - 30 Nm max.		
Compliance	RoHS, IP65		
Connection(s)	Input : 7/16 (f) Output : 7/16 (m) FWD/REV : N (f)		
Dimensions	Approx. 175 x 68 x 46.5 mm / 6.89 x 2.68 x 1.83 in.		
Tools	Torque wrench and a 24 mm wrench for back stop		
Weight	Approx. 1 kg / 2.20 lb.		
Mounting	5.2 mm / 0.20 in. dia. (4 holes)		
Environmental			
Operating temperature range	-30 °C to +60 °C		
Ingress Protection	IP65		

ORDERING

Model	Product No.	Description
PRO-DIR 380-520-OD-10 dB	200002332	COUPLING: 10 dB
PRO-DIR 380-520-OD-20 dB	210001661	COUPLING: 20 dB
PRO-DIR 380-520-OD-30 dB	210001662	COUPLING: 30 dB

MOUNTING DETAILS



All dimensions are given in mm.

