

Band-Pass Filter for 112 - 136 MHz

DESCRIPTION

- BPF 112-136 is an LC band-pass filter.
- Allows the whole 112 – 136 MHz band to pass.
- Good out of band rejection.
- Can be used as a preselector to protect a receiver against interferences from transmitters normally being outside the band-pass range.
- BPF 112-136 can be mounted as a preselector directly inside the PRO-AR4G-N, PRO-AR8G-N and the PRO-AR16G-N receiver multicouplers.
- Very small dimensions, mounted in a 45 x 50 mm case.
- FME connectors for easy and handy coupling to the surroundings.
- BPF 112-136 is coated with black vinyl to prevent corrosion.



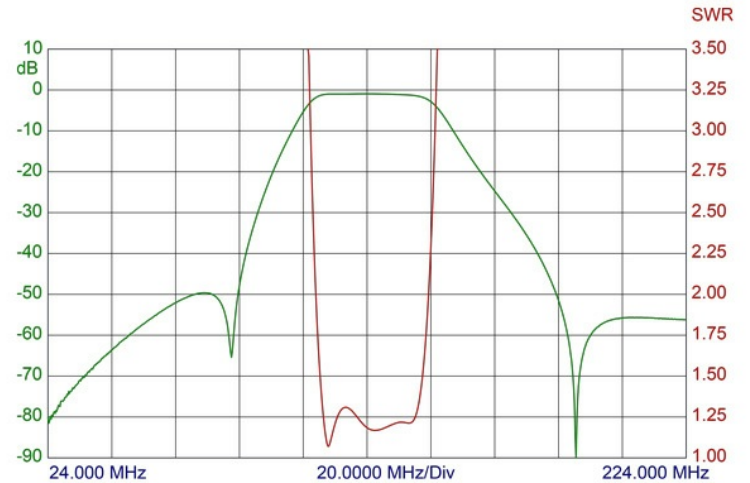
SPECIFICATIONS

Electrical	
Model	BPF 112-136
Frequency	112 - 136 MHz
Max. Input Power	35 W
Insertion Loss	≤ 1.1 dB typ. ≤ 0.9 dB
Impedance	50 Ω
Reject Attenuation	See curves
VSWR	< 1.4:1
Bandwidth	24 MHz
Mechanical	
Connection(s)	FME(m) (others on request)
Dimensions	48 x 21 x 50 mm (incl. connector) / 1.89 x 0.83 x 1.97 in. (incl. connector)
Weight	Approx. 0.06 kg / 0.13 lb.
Environmental	
Operating temperature range	-30 °C to +60 °C

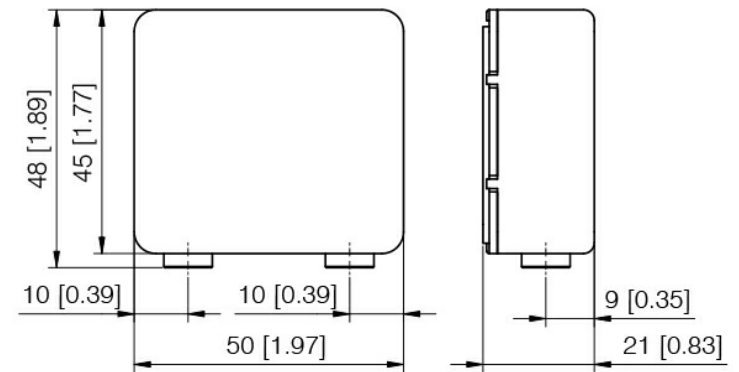
ORDERING

Model	Product No.
BPF 112-136 FME(m)	200000888

TYPICAL RESPONSE CURVE



MECHANICAL OUTLINE FOR FME(M)



All dimensions are given in mm [in.]

