

Broad Band Power Divider / Combiner

DESCRIPTION

- Two antennas connected to the same transmitter or receiver.
- Broad band power splitter for radio systems.
- Combining two transmitters on the same antenna.

Note: The power splitter has to be mounted on an extra heat sink when used as a combiner. Max. 15 W per Tx.

- Combining two signal generators.
- 30 W load built-in.



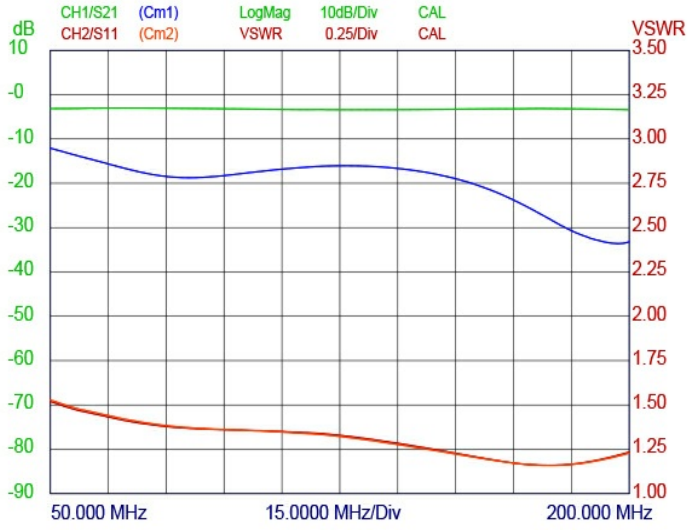
SPECIFICATIONS

Electrical		
Model	PRO-BBPHY 4/2-20-3 dB-N	PRO-BBPHY 4/2-20-10 dB-N
Frequency	70 - 175 MHz	70 - 175 MHz
Type	Cascaded Wilkinson-hybrid	Cascaded Wilkinson-hybrid
Max. Input Power	30 W when used as a power splitter - 15 W per channel when used as a hybrid combiner. Note : Extra cooling necessary when used as a hybrid combiner	30 W when used as a power splitter - 15 W per channel when used as a hybrid combiner. Note : Extra cooling necessary when used as a hybrid combiner
Insertion Loss	< 3.8 dB, typ. < 3.4 dB	1.1 dB ±0.5 dB / 10 dB ±1 dB
Impedance	50 Ω	50 Ω
Isolation Tx1 - Tx2	> 16 dB 70 - 175 MHz, typ. > 20.5 dB	> 17 dB 70 - 175 MHz, typ. > 19 dB
Phase Tx1, Tx2	0°	0°
VSWR	< 1.5:1 - all other ports terminated with 50 Ω (typ. < 1.4)	< 1.5:1 - all other ports terminated with 50 Ω (typ. < 1.4)
Load	30 W load built-in	30 W load built-in
Mechanical		
Connection(s)	N(f) (other on request)	N(f) (other on request)
Dimensions	126 (incl. conn.) x 97.5 (incl. conn.) x 30.3 mm / 4.96 (incl. conn.) x 3.84 (incl. conn.) x 1.19 in.	126 (incl. conn.) x 97.5 (incl. conn.) x 30.3 mm / 4.96 (incl. conn.) x 3.84 (incl. conn.) x 1.19 in.
Weight	Approx. 0.4 kg / 0.88 lb.	Approx. 0.4 kg / 0.88 lb.
Environmental		
Operating temperature range	-30 °C to +60 °C	-30 °C to +60 °C
Ingress Protection	IP64	IP64

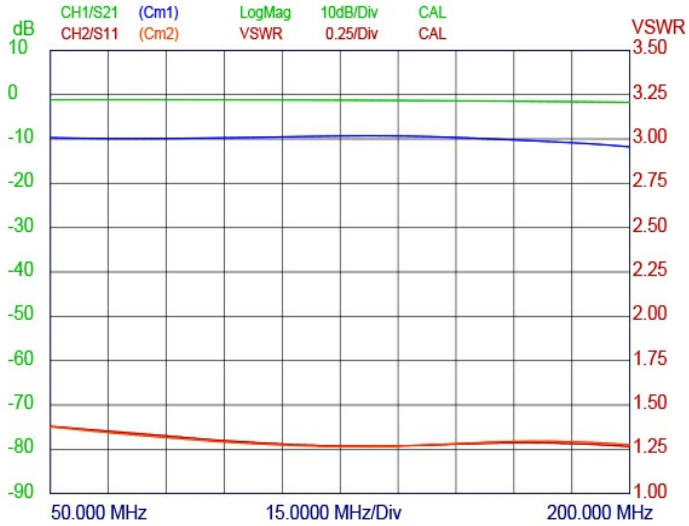
ORDERING

Model	Product No.
PRO-BBPHY 4/2-20-3 dB-N(f)	210000291
PRO-BBPHY 4/2-20-10 dB-N(f)	210000289

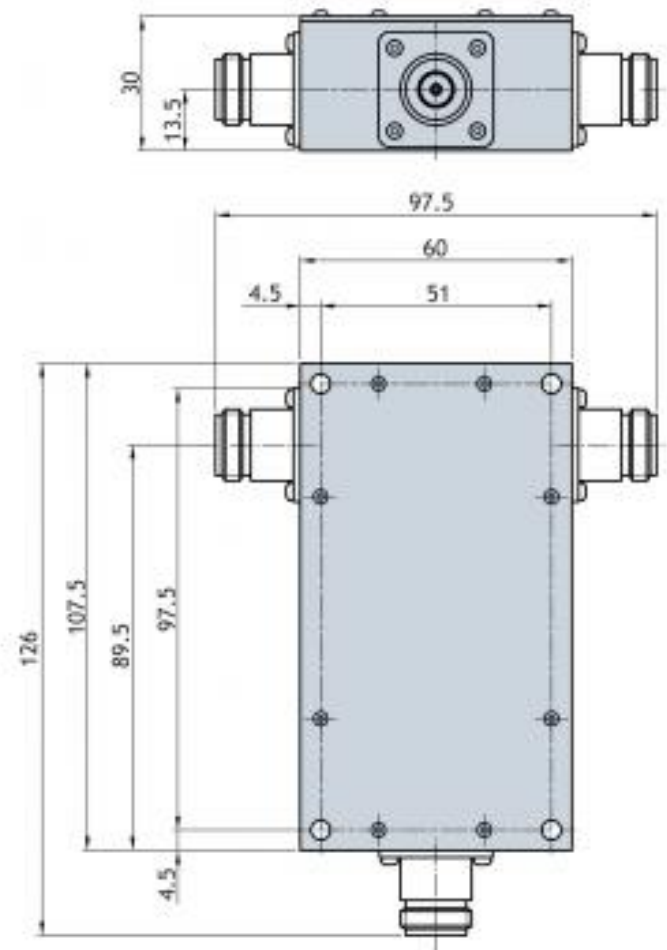
TYPICAL RESPONSE CURVE FOR 3 DB



TYPICAL RESPONSE CURVE FOR 10 DB



MOUNTING DETAILS



All dimensions are given in mm.

