

## Power Divider

### DESCRIPTION

- > 2.5 W unequal power divider.
- > The divider covers the frequency range from 40 - 1000 MHz.
- > Very little ripple on divider output over the entire frequency range.



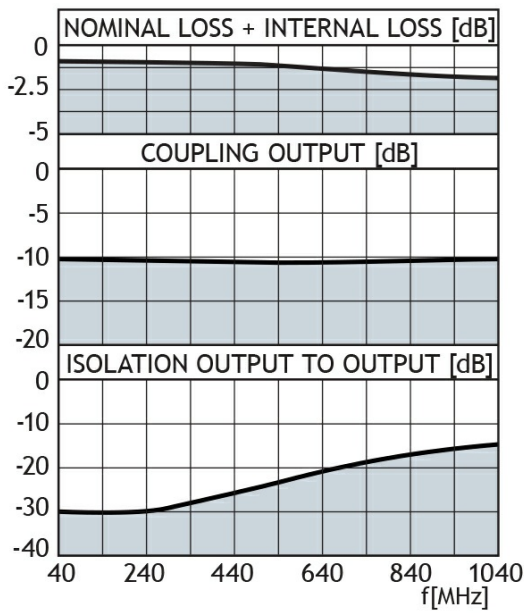
### SPECIFICATIONS

Electrical				
Model	PRO-PDI2-40-1G-... dB-2.5W-N			
Model Variant	6 dB	10 dB	15 dB	20 dB
Frequency	40 - 1000 MHz	40 - 1000 MHz	40 - 1000 MHz	40 - 2000 MHz
Max. Input Power	2.5 W (3 W)			
Coupling	6 dB	10 dB	15 dB	20 dB
Impedance	50 Ω			
Input VSWR	< 1.75:1	< 1.5:1 @ 2G < 2	< 1.5:1	
Nominal Divider Loss	1.25 dB	0.45 dB	0.45 dB	0.4 dB
Total Loss	≤ 2.5 dB @ 40 MHz ≤ 2.75 dB @ 1000 MHz	≤ 1.4 dB @ 40 MHz ≤ 2.2 dB @ 1000 MHz	≤ 1.4 dB @ 40 MHz ≤ 2.2 dB @ 1000 MHz	≤ 0.9 dB @ 40 MHz ≤ 1.1 dB @ 2G < 1.4
Isolation between outputs	10 dB	12 dB	16 dB	18 dB
Divider Output	-6.5 -0.5 / +1.5 dB	-10 ± 0.5 dB	-15 ± 0.5 dB	-20 ± 1 dB
Mechanical				
Connection(s)	N(f) (BNC(f), TNC(f), UHF(f) or SMA(f) on request)			
Dimensions	89 x 56 x 29 mm (incl. connectors) / 3.50 x 2.20 x 1.14 in.			
Weight	Approx. 0.145 kg / 0.32 lb.			
Environmental				
Operating temperature range	-30 °C to +60 °C			

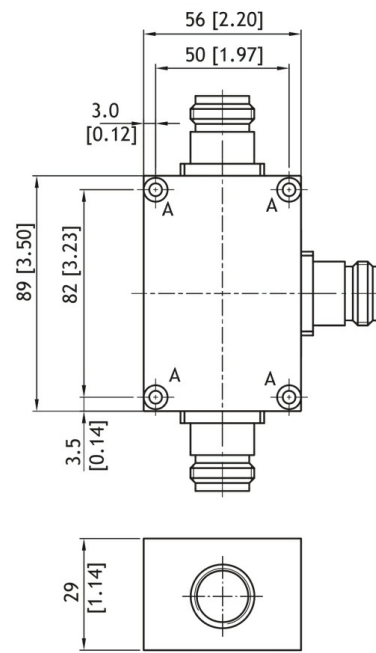
### ORDERING

Model	Product No.	Description
PRO-PDI2-40-1G-6 dB-2.5W-N(f)	210001060	COUPLING: 6 dB
PRO-PDI2-40-1G-10 dB-2.5W-N(f)	210000437	COUPLING: 10 dB
PRO-PDI2-40-1G-15 dB-2.5W-N(f)	210001020	COUPLING: 15 dB
PRO-PDI2-40-1G-20 dB-2.5W-N(f)	210000994	COUPLING: 20 dB

TYPICAL RESPONSE CURVE



MOUNTING DETAILS



A =  $\varnothing 3.2/\varnothing 6$  countersunk (4 pcs.)  
 $\varnothing [0.13] / \varnothing [0.24]$

All dimensions are given in mm [in.]

