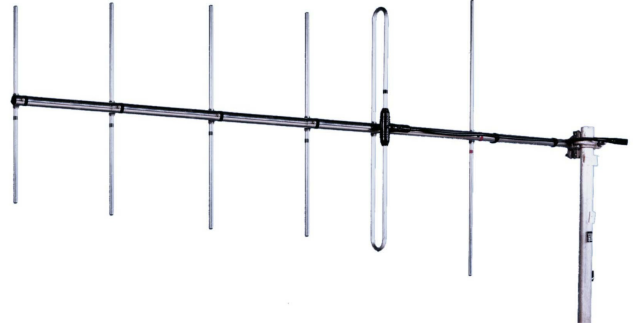


6 element Yagi 140 - 156 MHz

DESCRIPTION

- A 6-element VHF Yagi antenna for PMR/Trunked Radio and Broadcast applications.
- Produced to the highest quality standards, these robust antenna designs will ensure reliable operation in harsh environmental conditions.
- Former Jaybeam brand product.



SPECIFICATIONS

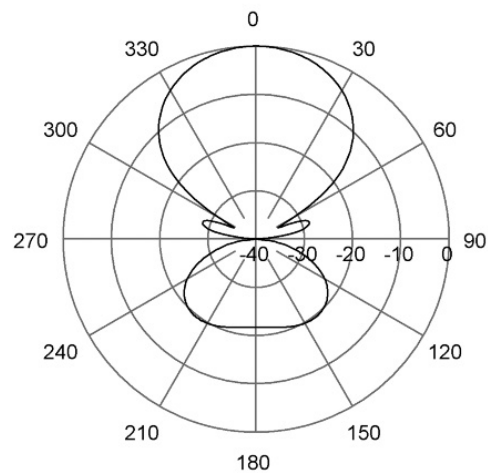
Electrical	
Model	7042140
Frequency	140 - 156 MHz
Max. Input Power	150 W
Polarisation	Linear (Vertical or Horizontal)
3 dB Beamwidth, E-Plane	56 °
3 dB Beamwidth, H-Plane	64 °
Impedance	50 Ω
Gain	8.5 dBd (10.7 dBi)
VSWR	< 1.5:1
Front-To-Back Ratio	> 16 dB
Antistatic Protection	All metal parts DC-grounded (Connector shows a DC-short)

Mechanical	
Connection(s)	N(f) on 3m RG213/U cable
Materials	Boom, 32 mm dia. aluminium elements, 12.7 mm dia. aluminium balun, Fully moulded enclosure
Length	Approx. 2700 mm / 106.30 in.
Wind Load	205 N (160 km/h)
Weight	Approx. 4.5 kg / 9.92 lb.
Mounting Bracket	3202078/68 + 3201079/00 (Ordered Separately)
Alternate Mounting Bracket	0900912/00, 0302032/68, or 0300064/00 + U-Bolts to match mounting pipe diameter (Ordered Separately)

ORDERING

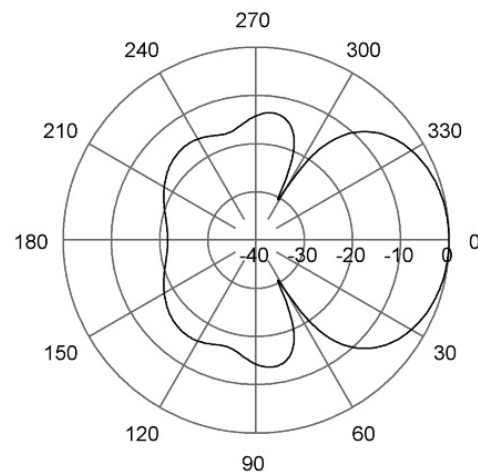
Model	Product No.	Description	Frequency
6 element Yagi	7042140		140 - 156 MHz
		Accessories	
Galvanised steel crossover bracket 32/50 mm	0900912/00		
Pressed steel cross clamp 2" x 1-1/4" (JBL73)	0302032/68		
Cast aluminium cross clamp, circular	0300064/00		
M8 x 50 mm (2") U-Bolts (1 Pair)	4884036/00		
M8 x 75 mm (3") U-Bolts (1 Pair)	4884076/00		
Fixed norstel / coupler clamp (cross clamp)	3202078/68		
Increasing sleeve	3201079/00		

RADIATION PATTERN



E-Plane | 148 MHz

RADIATION PATTERN



H-Plane | 148 MHz

