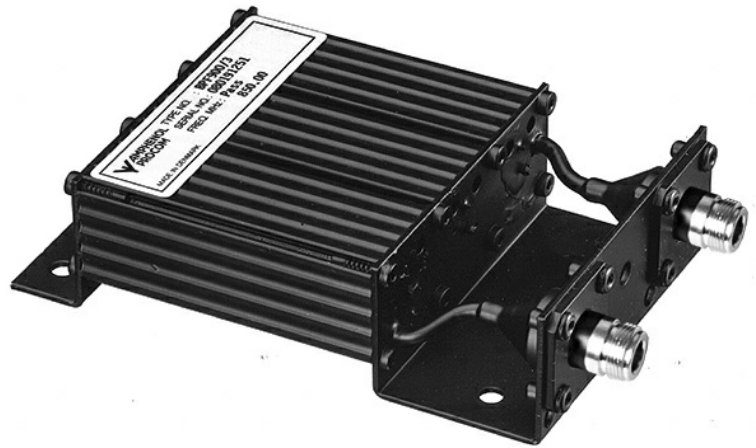


Band-Pass Filter for the 900 MHz Band

DESCRIPTION

- The BPF 900/3 is a 3-cavity band-pass filter using full-length quarter-wave resonators.
- This filter can be used as a preselector to protect a receiver against interference from transmissions out of the passband, or it can be used to reduce spurious output from a transmitter with up to 50 W output power.
- The filter can be tuned within the entire 820 - 960 MHz band. Careful design and choice of materials ensure reliable operation over a wide temperature range.
- The housing is made of extruded aluminium, the chassis of steel, and teflon insulation has been used in the coaxial cables and in the connectors.
- BPF 900/3 is coated with black vinyl to prevent corrosion.



SPECIFICATIONS

Electrical	
Model	BPF 900/3
Filter Type	Band-pass filter
Frequency	820 - 960 MHz
Max. Input Power	50 W
Insertion Loss	≤ 1.2 dB
Impedance	50 Ω
Attenuation 0-790 MHz	> 45 dB, See curves
Reject Attenuation	See curve
VSWR	≤ 1.5:1
Bandwidth	See curve

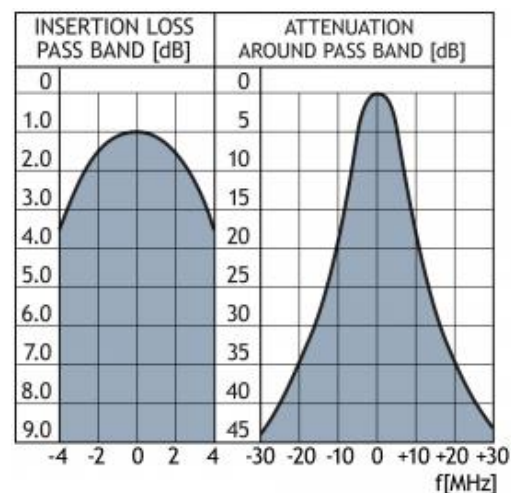
Mechanical	
Connection(s)	N(f) (BNC(f), TNC(f), UHF(f) or SMA(f) on request)
Dimensions	153 x 77 x 33 mm / 6 x 3 x 1 in.
Weight	Approx. 0.35 kg / 0.77 lb.

Environmental	
Operating temperature range	-30 °C to +60 °C
Frequency Stability	Approx. 10 ppm / °C

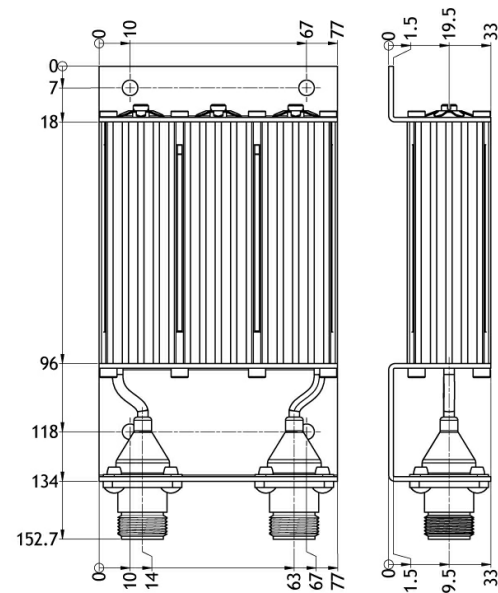
ORDERING

Model	Product No.
BPF 900/3 N(f)	200000935

TYPICAL RESPONSE CURVE



MOUNTING DETAILS



All dimensions are given in mm.

