

Miniature Magnetic Mount for Mobile Antenna Whips

DESCRIPTION

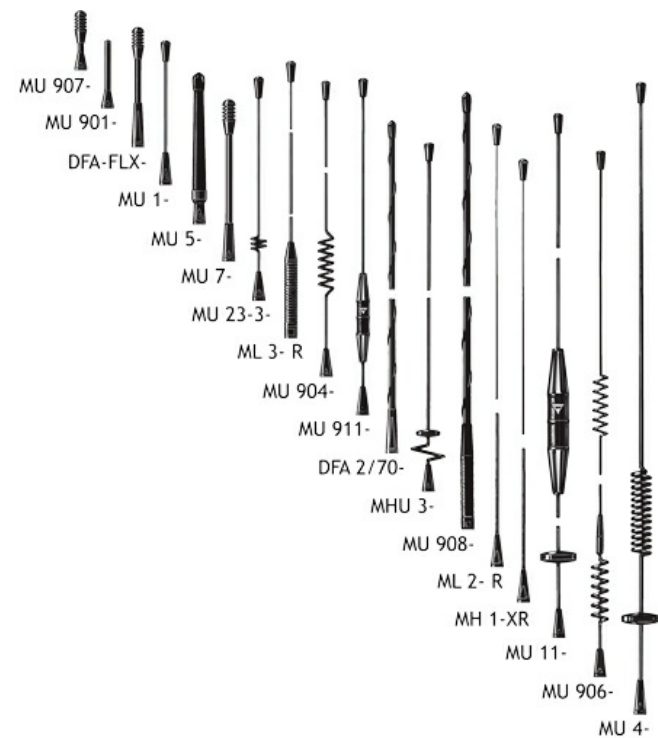
- Small, low-profile magnetic mount intended to carry short mobile antenna whips (height below 60 cm).
- Full compatibility with the X-mount, i.e. all X-type whips can be used on the MM-Mount.
- Provided with FME connecting system (FME-cable must be ordered separately).
- Silicone layer on contact surface protects the car roof and ensures maximum friction.



SPECIFICATIONS

Electrical	
Frequency	135 - 1000 MHz
Application	Magnetic mount for all X-type mobile antenna whips shorter than 60 cm
Mechanical	
Connection(s)	FME system
Materials	Black chromed brass, Environment-proof plastics, Electrostatic powder laquer
Colour	Black
Dimensions	Total height : Approx. 59 mm / 2.32 in. Diameter : 72 mm / 2.83 in.
Whip Connection	M6 thread stud
Weight	Approx. 0.27 kg / 0.60 lb.
Mounting	Centre of vehicle roof for best omnidirectional coverage
Max. Car Speed	Depending on whip height. See curve below

A SELECTION OF THE VARIOUS WHIPS WHICH CAN BE CONNECTED TO THE MM-MOUNT - MINIMAG (ALL SHORTER THAN 60 CM)



ORDERING

Model	Product No.
MM-Mount - MiniMag	130000351
Accessories FME-Cables	
1 m FME(f) to FME(f) cable	130000437
2 m FME(f) to FME(f) cable	130000447
3 m FME(f) to FME(f) cable	130000457
4 m FME(f) to FME(f) cable	130000466
5 m FME(f) to FME(f) cable	130000474
6 m FME(f) to FME(f) cable	130000483
4 m FME(f) to FME(f) cable, white	110000064
6 m FME(f) to FME(f) cable, white	110000066
12 m FME(f) to FME(f) cable, white	110000068
18 m FME(f) to FME(f) cable, white	110000069
Accessories FME-Connectors	
FME(f)-FME(f) Connector Adaptor	130000583
FME(m)-P(m) (Prolongation) Connector Adaptor	130000565
FME(m)-N(m) Connector Adaptor	130000571
FME(m)-SMA(f) Connector Adaptor	130000578
FME(m)-BNC(m) Connector Adaptor	130000566
FME(m)-TNC(m) Connector Adaptor	130000569
FME(m)-UHF(m) Connector Adaptor	130000572
FME(m)-MiniUHF(m) Connector Adaptor	130000573
FME(m)-MiniUHF(m)(Elbow) Connector Adaptor	130000582
FME(m)-BNC(m)(Elbow) Connector Adaptor	130000580
FME(m)-TNC(m)(Elbow) Connector Adaptor	130000581
FME(m)-SMA(m) Connector Adaptor	130000577

FME-SYSTEM ACCESSORIES - NOTE

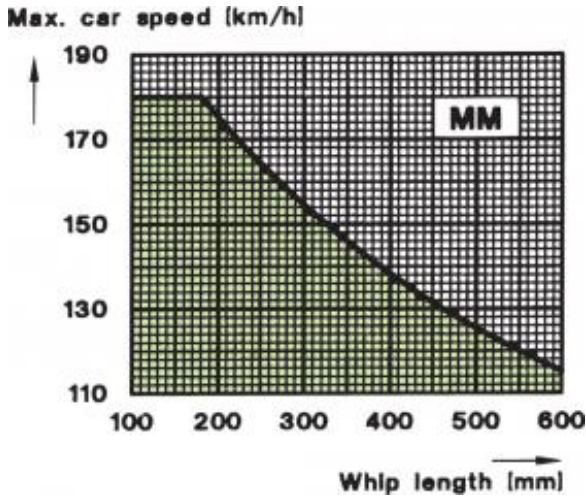
For further information about other types of FME-cables and FME-connectors, please compare the cable and connector data sheets under accessories in our catalogue.

ORDERING DESIGNATION NOTE

ORDERING	
Generally	Order this magnetic base by simply asking for MM-Mount. (FME-cable and FME-connector are ordered separately).
Complete antennas can be ordered	–by ordering X-type whips and MM separately, or –by coding MM-Mount into the antenna designation. (In this case please consult the X-mount leaflet for the particular whip type in question to check if the combination is available).

USING THE MINIMAG – MM-MOUNT

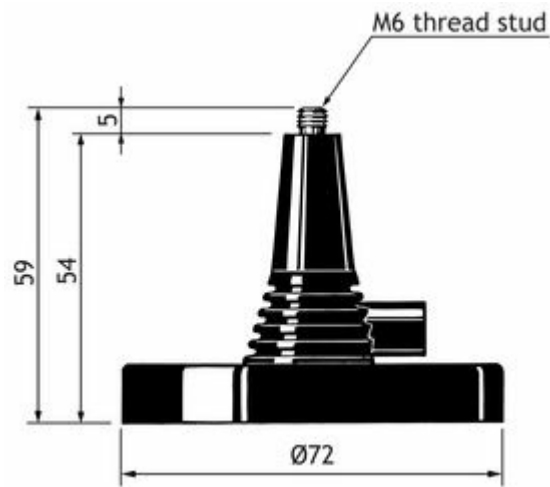
This magnetic mount is used to make an occasional antenna installation where it is not desirable to drill holes in the vehicle. A magnetic mount can advantageously serve several vehicles by shifting it from one vehicle to another. The MiniMag is provided with a thoroughly magnetized permanent ring magnet positioned in a carefully shaped magnetic circuit which yields an extraordinarily high attaching effect and makes this mount stand for very high values of bending moment and mechanical shock. A silicone layer applied to the whole contact surface protects the car roof and ensures maximum friction.



INSTALLATION

The magnetic mount should be mounted in the middle of the vehicle roof or rear locker to produce best omnidirectional coverage.

TUNING	
Below 400 MHz	Use the cutting diagram for the corresponding X-mount model using the same type of whip as a guide while using an VSWR-meter to tune the whip.
Above 400 MHz	Whips tuned by cutting: Use an VSWR-meter. Whips tuned with disc: Adjustment diagram accompanies the antenna.



PLEASE NOTE

For safety reasons:
Do not operate the MiniMag with antenna whips longer than 60 cm. Please respect the maximum car speed limit corresponding to a particular whip length as appears from the curve on page 1 of this leaflet.

