

## Power Divider

### DESCRIPTION

- > 10 W resistive equal power divider.
- > Covers the frequency range from DC - 2000 MHz.
- > Very little ripple on divider output over the entire frequency range.



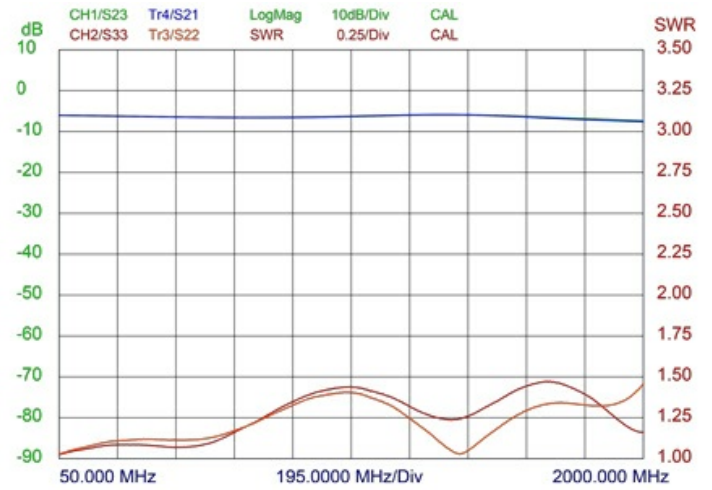
### SPECIFICATIONS

Electrical	
Model	PRO-PDI-2G-3R
Frequency	DC - 2000 MHz
Max. Input Power	10 W
Impedance	50 Ω
Input VSWR	< 1.5:1
Total Loss	Typ. 6.5 dB ±1 dB DC - 2000 MHz
Mechanical	
Connection(s)	N(f)
Dimensions	129 (incl. conn.) x 152 (incl. flanges) x 35 mm / 5.08 x 5.98 x 1.38 in.
Weight	Approx. 0.36 kg / 0.79 lb.
Environmental	
Operating temperature range	-30 °C to +60 °C

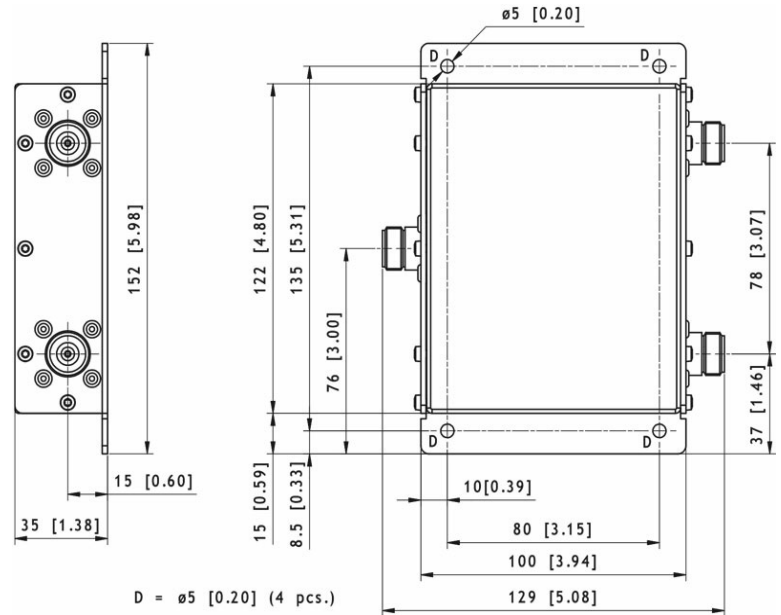
### ORDERING

Model	Product No.
PRO-PDI-2G-3R	200000993

### TYPICAL RESPONSE CURVE



MOUNTING DETAILS



All dimensions are given in mm [in.]

